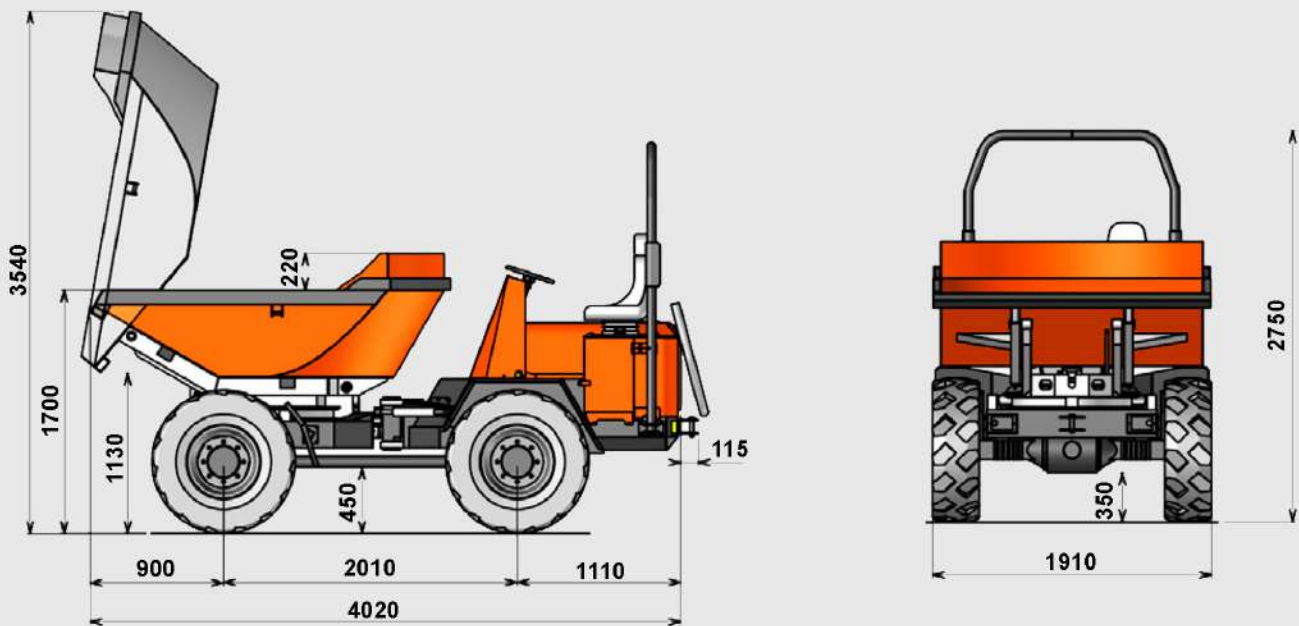






DS
60

DS60 - Articulated Slewing Dumper		
Load Capacity	Kgs	6.000
Unloading System		Three sides unloading
Hopper Capacity Levelled/Heaped	l	STD 2200/2860 PLUS 2900/3400
Engine		YANMAR 4TNV98CT-N Diesel Turbo - 53,7 Kw @ 2500 Rpm - Stage V
Hydrostatic Transmission		2-speed hydrostatic. Front-reverse direction electro-hydraulic operated. Axles with planetary reduction on differential output
Speed (max.)	Km/h	28
Unladen Weight	Kgs	3.500
Gradeability		40%
Hydraulic circuit		Double gear pump 13,8/16,0 cm ³
Front/Rear Tyres		12,5/80 - 18 A6
Outer turning radius	°	35
Steering/tipping	Bar	135/190
Fuel Tank Capacity	l	60
Hydraulic Tank Capacity	l	38
Service/Parking Brake		Oil-immersed, multidisc, hydraulically operated
Standard Equipment		Foldable ROPS arch – Vandal resistant system - Ergonomic seat with safety belt - Audible reverse warning (back up alarm) - Towing hitch
Options Equipment		Lighting equipment
LengthxWidthxHeight	mm	4200x1910x2750
Unloading distance	mm	1.200
Body Width	mm	1.910
Max. Discharge Height	mm	3.500
Body Height	mm	1.930
Inclined Body Height	mm	3.500
Distance from the ground	mm	400
Unload Angle	°	45°



AMOG srl | I-80031 Brusciano (NA) | Tel. +39 081 658 8361 | sales@davinogroup.biz

davinomixer.com